



# SOFTWARE OVERVIEW

SEPTEMBER 2007

# CYBERNET SOFTWARES

---

- **1<sup>st</sup> generation software module**
  - H/W: JadeBT, JadeAD, JadeSTAR, JadeAIRE X1
  - S/W: CyberAPI
  
- **2<sup>nd</sup> generation software platform**
  - H/W: JadeEKO, JadeAIRE X2
  - S/W: CyberWorks

# WHAT IS CYBERWORKS?

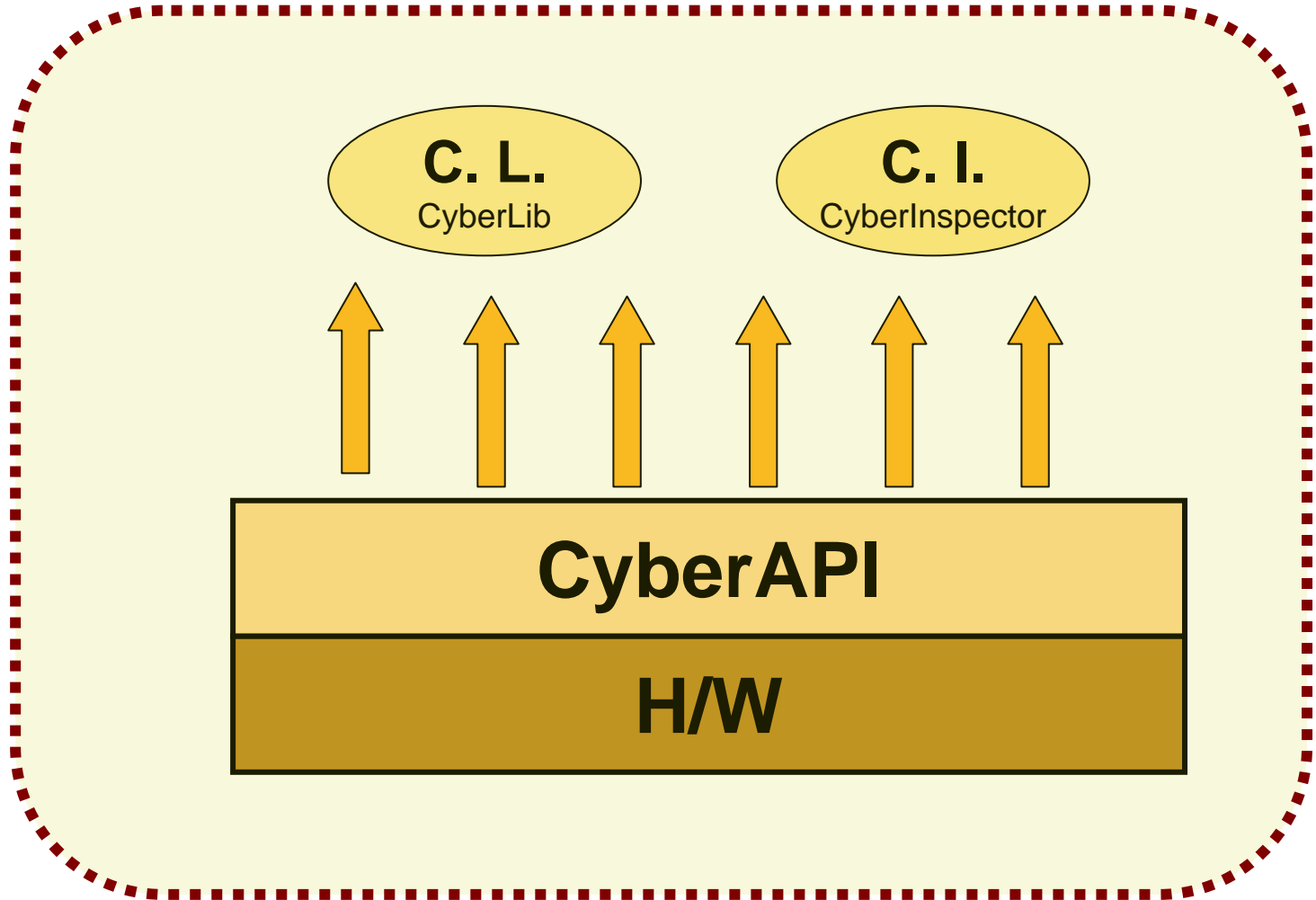
- CyberNet developed a compact and fast 'C' based software module, "CyberAPI", having multiple functions for easy application development
- CyberNet developed an advanced 'C' based software platform, "CyberWorks", featuring multiple functions of CyberAPI + multi application boot loader, file system, fire wall and remote downloader
- All items above are compatible with each other and conducive to make easier and more valuable user applications
- CyberNet plans to develop CyberDebug that can debug applications on PC without loading applications on the device
- CyberWorks contains all of software platform tools such as multi application boot loader, file system, debugger and CyberAPI

# DEFINITIONS

- **CyberAPI**
  - 1<sup>st</sup> generation software module for CyberNet terminals
- **CyberWorks**
  - 2<sup>nd</sup> generation software platform for CyberNet terminals
- **CyberAPI**
  - CyberNet terminal Application Programming Interface
- **CyberEx**
  - CyberNet terminal operating engine
- **CyberCore**
  - CyberNet terminal multi application boot loader
- **CyberWall**
  - CyberNet terminal application fire wall and file system
- **CyberDebug**
  - CyberNet terminal application debugging tool

# CYBERAPI STRUCTURE

**CyberAPI**



# CYBERWORKS STRUCTURE

**CyberWorks**

